

Pinch Valve Configurations

All valve descriptions can be identified using the component breakdown example shown below. Sizes are indicated in 1/8" increments(e.g. 5/8" = 05).

Example Valve Description:

AT <u>Valve Type</u> AB = BSPT AT = NPT AS = Sanitary	05 <u>Sleeve I.D.</u> 1/4" = 02 3/8" = 03 5/8" = 05 3/4" = 06 1" = 08 1 1/4" = 10 1 1/2" = 12 2" = 16	NF <u>Elastomer Compound</u> NF = Non FDA FG = FDA	E60 <u>Sleeve Material & Durometer</u> B = Buna-N* E = EPDM* I = Silicone N = Neoprene™ R = Natural Rubber RW = White Rubber V = Viton™	0606 <u>End Cap Threads</u> 1/4" = 02 3/8" = 03 3/4" = 06 1 " = 08 1 1/4" = 10 1 1/2" = 12 2" = 16	P <u>Housing Material</u> P = Polypropylene N = Glass Filled Nylon S = Stainless Steel A = Aluminum
--	---	--	--	---	---

Valve Actuation Pressures

Pinch Valves

Size	Valve	Media psi	10	20	30	40	50	60	70	80
1/4"	Valve	Air psi	42	53	64	76	82	X	X	X
		Media psi	10	20	30	40	50	60	70	80
3/8"	Valve	Air psi	32	41	53	64	76	88	X	X
		Media psi	10	20	30	40	50	60	70	80
5/8"	Valve	Air psi	40	48	57	68	79	88	X	X
		Media psi	10	20	30	40	50	60	70	80
1"	Valve	Air psi	46	53	60	72	81	90	X	X
		Media psi	10	20	30	40	50	60	70	80
1 1/4"	Valve	Air psi	46	53	60	72	81	90	X	X
		Media psi	10	20	30	40	50	60	70	80
1 1/2"	Valve	Air psi	46	53	60	72	81	90	X	X
		Media psi	10	20	30	40	50	60	70	80
2"	Valve	Air psi	25	36	48	57	70	X	X	X
		Media psi	10	20	30	40	50	60	70	80

NOTE: Maximum valve actuation pressure is 90 psi. Air pressure required for "bubbletight" closure of the sleeves shown are based on factory test conditions using water as the controlled media. Differential pressures for controlling liquids and air will vary. To obtain maximum sleeve life, always use lowest air pressure necessary for complete closure.

Application specific testing is always recommended to determine the suitability of Airpinch valves and sleeves.

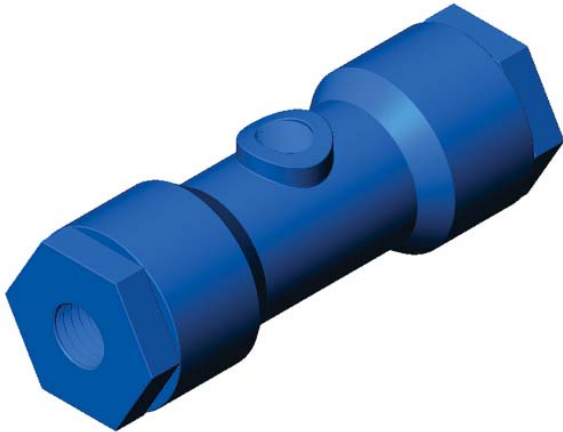
This information is intended to be used as a guideline only.

It is the responsibility of the user to test and determine the suitability of Airpinch valves and sleeves for any given application.

1/4" Pinch Valves

Specifications:

Media Inlet: .25" (Ø)
 Media Outlet: .25" (Ø)
 Actuation Port: .125"
 Valve Length: 3.55"
 Valve Diameter: 1.25"



	AP-		AT-02-FG-B60-0202-S
Food Grade	AP-6001		AT-02-FG-B60-0202-A
Buna	AP-6009	\$42.50	AT-02-FG-B60-0202-N
	AP-6016	\$42.50	AT-02-FG-B60-0202-P
	AP-		AT-02-FG-E60-0202-S
Food Grade	AP-6004		AT-02-FG-E60-0202-A
EPDM	AP-6011	\$42.50	AT-02-FG-E60-0202-N
	AP-6018	\$42.50	AT-02-FG-E60-0202-P
	AP-		AT-02-NF-B60-0202-S
Non-Food	AP-6002		AT-02-NF-B60-0202-A
Grade Buna	AP-6010	\$35.00	AT-02-NF-B60-0202-N
	AP-6017	\$35.00	AT-02-NF-B60-0202-P
	AP-6282	\$40.00	AT-02-NF-E30-0202-N
	AP-6350	\$40.00	AT-02-NF-E30-0202-P
Non-Food	AP-6283	\$44.00	AT-02-NF-E45-0202-N
Grade EPDM	AP-6351	\$44.00	AT-02-NF-E45-0202-P
	AP-		AT-02-NF-E60-0202-S
	AP-6003		AT-02-NF-E60-0202-A
	AP-6012	\$35.00	AT-02-NF-E60-0202-N
	AP-6019	\$35.00	AT-02-NF-E60-0202-P
	AP-		AT-02-NF-I60-0202-S
Non-Food	AP-6393		AT-02-NF-I60-0202-A
Grade Silicon	AP-6284	\$37.50	AT-02-NF-I60-0202-N
	AP-6352	\$37.50	AT-02-NF-I60-0202-P
	AP-		AT-02-NF-N60-0202-S
Non-Food	AP-6394		AT-02-NF-N60-0202-A
Grade Neoprene	AP-6285	\$44.00	AT-02-NF-N60-0202-N
	AP-6353	\$44.00	AT-02-NF-N60-0202-P
	AP-		AT-02-NF-R60-0202-S
Non-Food	AP-6395		AT-02-NF-R60-0202-A
Grade Rubber	AP-6286	\$44.00	AT-02-NF-R60-0202-N
	AP-6354	\$44.00	AT-02-NF-R60-0202-P
	AP-		AT-02-NF-V65-0202-S
Non-Food	AP-6005		AT-02-NF-V65-0202-A
Grade Viton	AP-6013	\$69.00	AT-02-NF-V65-0202-N
	AP-6020	\$69.00	AT-02-NF-V65-0202-P
	AP-6169	\$25.00	AT-S-02-FG-B60
	AP-6591	\$32.00	AT-S-02-FG-E30
	AP-6170	\$28.00	AT-S-02-FG-E60
	AP-6977	\$28.00	AT-S-02-FG-R60W
	AP-6154	\$16.50	AT-S-02-NF-B60
Replacement	AP-6250	\$21.50	AT-S-02-NF-E30
Sleeves	AP-6259	\$25.50	AT-S-02-NF-E45
	AP-6155	\$16.50	AT-S-02-NF-E60
	AP-6984	\$0.00	AT-S-02-NF-I18
	AP-6991	\$0.00	AT-S-02-NF-I35
	AP-6260	\$20.00	AT-S-02-NF-I60
	AP-6261	\$24.50	AT-S-02-NF-N60
	AP-6262	\$24.50	AT-S-02-NF-R60
	AP-6156	\$50.00	AT-S-02-NF-V65

3/8" Pinch Valves

Specifications:

Media Inlet: .25" (02) or .375" (03)
 Media Outlet: .25" (02) or .375" (03)
 Actuation Port: .25"
 Valve Length: 2.875"
 Valve Diameter: 1.75"



	AP-		AT-03-FG-B60-0202-S
	AP-6034		AT-03-FG-B60-0202-A
	AP-6432	\$62.00	AT-03-FG-B60-0202-N
	AP-6478	\$62.00	AT-03-FG-B60-0202-P
Food Grade	AP-		AT-03-FG-B60-0303-S
Buna	AP-6024		AT-03-FG-B60-0303-A
	AP-6053	\$62.00	AT-03-FG-B60-0303-N
	AP-6045	\$62.00	AT-03-FG-B60-0303-P
	AP-		AT-03-FG-E60-0202-S
	AP-6036		AT-03-FG-E60-0202-A
	AP-6436	\$62.00	AT-03-FG-E60-0202-N
Food Grade	AP-6482	\$62.00	AT-03-FG-E60-0202-P
EPDM	AP-		AT-03-FG-E60-0303-S
	AP-6026		AT-03-FG-E60-0303-A
	AP-6055	\$62.00	AT-03-FG-E60-0303-N
	AP-6047	\$62.00	AT-03-FG-E60-0303-P
	AP-		AT-03-NF-B60-0202-S
	AP-6035		AT-03-NF-B60-0202-A
	AP-6433	\$49.00	AT-03-NF-B60-0202-N
Non-Food	AP-6479	\$49.00	AT-03-NF-B60-0202-P
Grade Buna	AP-		AT-03-NF-B60-0303-S
	AP-6025		AT-03-NF-B60-0303-A
	AP-6054	\$49.00	AT-03-NF-B60-0303-N
	AP-6046	\$49.00	AT-03-NF-B60-0303-P
	AP-		AT-03-NF-E30-0202-S
	AP-6396		AT-03-NF-E30-0202-A
	AP-6434	\$53.00	AT-03-NF-E30-0202-N
Non-Food	AP-6480	\$53.00	AT-03-NF-E30-0202-P
Grade EPDM	AP-		AT-03-NF-E30-0303-S
	AP-6401		AT-03-NF-E30-0303-A
	AP-6268	\$53.00	AT-03-NF-E30-0303-N
	AP-6263	\$53.00	AT-03-NF-E30-0303-P
	AP-		AT-03-NF-E45-0202-S
	AP-6397		AT-03-NF-E45-0202-A
	AP-6435	\$53.00	AT-03-NF-E45-0202-N
	AP-6481	\$53.00	AT-03-NF-E45-0202-P
	AP-		AT-03-NF-E45-0303-S
	AP-6402		AT-03-NF-E45-0303-A
	AP-6269	\$53.00	AT-03-NF-E45-0303-N
	AP-6264	\$53.00	AT-03-NF-E45-0303-P
	AP-		AT-03-NF-E60-0202-S
	AP-6037		AT-03-NF-E60-0202-A
	AP-6437	\$49.00	AT-03-NF-E60-0202-N
	AP-6483	\$49.00	AT-03-NF-E60-0202-P
	AP-		AT-03-NF-E60-0303-S
	AP-6027		AT-03-NF-E60-0303-A
	AP-6056	\$49.00	AT-03-NF-E60-0303-N
	AP-6048	\$49.00	AT-03-NF-E60-0303-P

3/8" Pinch Valves

Specifications:

Media Inlet: .25" (02) or .375" (03)
 Media Outlet: .25" (02) or .375" (03)
 Actuation Port: .25"
 Valve Length: 2.875"
 Valve Diameter: 1.75"



	AP-6398		AT-03-NF-I60-0202-S
	AP-6438	\$56.00	AT-03-NF-I60-0202-A
Non-Food Grade Silicon	AP-6484	\$56.00	AT-03-NF-I60-0202-N
	AP-6403		AT-03-NF-I60-0202-P
	AP-6270	\$56.00	AT-03-NF-I60-0303-S
	AP-6265	\$56.00	AT-03-NF-I60-0303-A
			AT-03-NF-I60-0303-N
			AT-03-NF-I60-0303-P
	AP-6399		AT-03-NF-N60-0202-S
	AP-6439	\$53.00	AT-03-NF-N60-0202-A
Non-Food Grade Neoprene	AP-6485	\$53.00	AT-03-NF-N60-0202-N
	AP-6404		AT-03-NF-N60-0202-P
	AP-6271	\$53.00	AT-03-NF-N60-0303-S
	AP-6266	\$53.00	AT-03-NF-N60-0303-A
			AT-03-NF-N60-0303-N
			AT-03-NF-N60-0303-P
	AP-6400		AT-03-NF-R60-0202-S
	AP-6440	\$53.00	AT-03-NF-R60-0202-A
Non-Food Grade Rubber	AP-6486	\$53.00	AT-03-NF-R60-0202-N
	AP-6405		AT-03-NF-R60-0202-P
	AP-6272	\$53.00	AT-03-NF-R60-0303-S
	AP-6267	\$53.00	AT-03-NF-R60-0303-A
			AT-03-NF-R60-0303-N
			AT-03-NF-R60-0303-P
	AP-6038		AT-03-NF-V65-0202-S
	AP-6441	\$93.00	AT-03-NF-V65-0202-A
Non-Food Grade Viton	AP-6487	\$93.00	AT-03-NF-V65-0202-N
	AP-6028		AT-03-NF-V65-0202-P
	AP-6057	\$92.50	AT-03-NF-V65-0303-S
	AP-6049	\$92.50	AT-03-NF-V65-0303-A
			AT-03-NF-V65-0303-N
			AT-03-NF-V65-0303-P
	AP-6171	\$33.00	AT-S-03-FG-B60
	AP-6593	\$33.00	AT-S-03-FG-E30
	AP-6172	\$33.00	AT-S-03-FG-E60
	AP-6978	\$0.00	AT-S-03-FG-R60W
	AP-6157	\$20.00	AT-S-03-NF-B60
	AP-6242	\$24.50	AT-S-03-NF-E30
	AP-6243	\$24.50	AT-S-03-NF-E45
Replacement Sleeves	AP-6158	\$20.00	AT-S-03-NF-E60
	AP-6985	\$33.00	AT-S-03-NF-I18
	AP-6992	\$0.00	AT-S-03-NF-I35
	AP-6244	\$22.50	AT-S-03-NF-I60
	AP-6246	\$25.50	AT-S-03-NF-N60
	AP-6247	\$25.50	AT-S-03-NF-R60
	AP-6159	\$63.00	AT-S-03-NF-V65

5/8" Pinch Valves

Specifications:

Media Inlet: .5" (04), .75" (06), or 1" (08)
 Media Outlet: .5" (04), .75" (06), or 1" (08)
 Actuation Port: .25"
 Valve Length: 4.00"
 Valve Diameter: 2.25"



	AP-6657	\$90.00	AT-05-FG-B60-0404-N
	AP-6658	\$90.00	AT-05-FG-B60-0404-P
	AP-		AT-05-FG-B60-0606-S
	AP-6558		AT-05-FG-B60-0606-A
Food Grade	AP-6061	\$82.00	AT-05-FG-B60-0606-N
Buna	AP-6091	\$82.00	AT-05-FG-B60-0606-P
	AP-6077	\$82.00	AT-05-FG-B60-0808-N
	AP-6107	\$82.00	AT-05-FG-B60-0808-P
	AP-6659	\$90.00	AT-05-FG-E60-0404-N
	AP-6660	\$90.00	AT-05-FG-E60-0404-P
	AP-		AT-05-FG-E60-0606-S
Food Grade	AP-6559		AT-05-FG-E60-0606-A
EPDM	AP-6063	\$82.00	AT-05-FG-E60-0606-N
	AP-6093	\$82.00	AT-05-FG-E60-0606-P
	AP-6079	\$82.00	AT-05-FG-E60-0808-N
	AP-6109	\$82.00	AT-05-FG-E60-0808-P
	AP-6661	\$70.00	AT-05-NF-B60-0404-N
	AP-6662	\$70.00	AT-05-NF-B60-0404-P
	AP-		AT-05-NF-B60-0606-S
Non-Food	AP-6518		AT-05-NF-B60-0606-A
Grade Buna	AP-6062	\$62.00	AT-05-NF-B60-0606-N
	AP-6092	\$62.00	AT-05-NF-B60-0606-P
	AP-6078	\$62.00	AT-05-NF-B60-0808-N
	AP-6108	\$62.00	AT-05-NF-B60-0808-P
	AP-		AT-05-NF-E30-0606-S
	AP-6519		AT-05-NF-E30-0606-A
	AP-6065	\$68.00	AT-05-NF-E30-0606-N
	AP-6095	\$68.00	AT-05-NF-E30-0606-P
	AP-6080	\$68.00	AT-05-NF-E30-0808-N
	AP-6112	\$68.00	AT-05-NF-E30-0808-P
	AP-		AT-05-NF-E45-0606-S
	AP-6520		AT-05-NF-E45-0606-A
Non-Food	AP-6287	\$66.00	AT-05-NF-E45-0606-N
Grade EPDM	AP-6355	\$66.00	AT-05-NF-E45-0606-P
	AP-6318	\$66.00	AT-05-NF-E45-0808-N
	AP-6359	\$66.00	AT-05-NF-E45-0808-P
	AP-6663	\$70.00	AT-05-NF-E60-0404-N
	AP-6664	\$70.00	AT-05-NF-E60-0404-P
	AP-		AT-05-NF-E60-0606-S
	AP-6521		AT-05-NF-E60-0606-A
	AP-6064	\$62.00	AT-05-NF-E60-0606-N
	AP-6094	\$62.00	AT-05-NF-E60-0606-P
	AP-6083	\$62.00	AT-05-NF-E60-0808-N
	AP-6110	\$62.00	AT-05-NF-E60-0808-P

5/8" Pinch Valves

Specifications:

Media Inlet: .5" (04), .75" (06), or 1" (08)
 Media Outlet: .5" (04), .75" (06), or 1" (08)
 Actuation Port: .25"
 Valve Length: 4.00"
 Valve Diameter: 2.25"



	AP-6522		AT-05-NF-I60-0606-S
	AP-6066	\$88.00	AT-05-NF-I60-0606-A
Non-Food Grade Silicon	AP-6096	\$88.00	AT-05-NF-I60-0606-N
	AP-6081	\$88.00	AT-05-NF-I60-0606-P
	AP-6113	\$88.00	AT-05-NF-I60-0808-N
	AP-6523		AT-05-NF-I60-0808-P
	AP-6067	\$66.00	AT-05-NF-N60-0606-S
Non-Food Grade Neoprene	AP-6097	\$66.00	AT-05-NF-N60-0606-A
	AP-6082	\$66.00	AT-05-NF-N60-0606-N
	AP-6114	\$66.00	AT-05-NF-N60-0606-P
	AP-6556		AT-05-NF-N60-0808-N
	AP-6288	\$66.00	AT-05-NF-N60-0808-P
Non-Food Grade Rubber	AP-6356	\$66.00	AT-05-NF-R60-0606-S
	AP-6319	\$66.00	AT-05-NF-R60-0606-A
	AP-6360	\$66.00	AT-05-NF-R60-0606-N
	AP-7000	\$78.00	AT-05-NF-R60-0606-P
	AP-6665	\$119.00	AT-05-NF-R60-0808-N
	AP-6666	\$119.00	AT-05-NF-R60-0808-P
	AP-6557		AT-05-NF-R60W-0404-P
Non-Food Grade Viton	AP-6068	\$112.00	AT-05-NF-V65-0404-N
	AP-6098	\$112.00	AT-05-NF-V65-0404-P
	AP-6084	\$112.00	AT-05-NF-V65-0606-S
	AP-6115	\$112.00	AT-05-NF-V65-0606-A
			AT-05-NF-V65-0606-N
			AT-05-NF-V65-0606-P
			AT-05-NF-V65-0808-N
			AT-05-NF-V65-0808-P
	AP-6173	\$42.00	AT-S-05-FG-B60
	AP-6667	\$42.00	AT-S-05-FG-E30
	AP-6174	\$42.00	AT-S-05-FG-E60
	AP-6979	\$47.00	AT-S-05-FG-R60W
	AP-6160	\$22.50	AT-S-05-NF-B60
	AP-6161	\$26.50	AT-S-05-NF-E30
Replacement Sleeves	AP-6273	\$26.50	AT-S-05-NF-E45
	AP-6162	\$22.50	AT-S-05-NF-E60
	AP-6986	\$0.00	AT-S-05-NF-I18
	AP-6993	\$0.00	AT-S-05-NF-I35
	AP-6163	\$26.50	AT-S-05-NF-I60
	AP-6164	\$25.00	AT-S-05-NF-N60
	AP-6274	\$24.50	AT-S-05-NF-R60
	AP-6165	\$72.00	AT-S-05-NF-V65

3/4" Pinch Valves

Specifications:

Media Inlet: .75" (06) or .1" (08)
 Media Outlet: .75" (06) or .1" (08)
 Actuation Port: .25"
 Valve Length: 4"
 Valve Diameter: 2.25"



Non-Food Grade Buna	AP-		AT-06-NF-B60-0606-S
	AP-		AT-06-NF-B60-0606-A
	AP-6796	\$62.00	AT-06-NF-B60-0606-P
	AP-6798	\$62.00	AT-06-NF-B60-0606-N
Non-Food Grade EPDM	AP-6694	\$68.00	AT-06-NF-E30-0606-P
	AP-		AT-06-NF-E60-0606-S
	AP-		AT-06-NF-E60-0606-A
	AP-6797	\$62.00	AT-06-NF-E60-0606-N
	AP-6795	\$62.00	AT-06-NF-E60-0606-P
	AP-6808	\$0.00	AT-06-NF-E60-0808-P
Non-Food Grade Viton	AP-6953	\$0.00	AT-06-NF-V65-0606-P
	AP-6687	\$42.00	AT-S-06-FG-B60
	AP-6594	\$42.00	AT-S-06-FG-E30
	AP-6362	\$42.00	AT-S-06-FG-E60
	AP-6980	\$0.00	AT-S-06-FG-R60W
	AP-6277	\$22.50	AT-S-06-NF-B60
Replacement	AP-6321	\$26.50	AT-S-06-NF-E30
Sleeves	AP-6595	\$23.00	AT-S-06-NF-E60
	AP-6987	\$0.00	AT-S-06-NF-I18
	AP-6994	\$0.00	AT-S-06-NF-I35
	AP-6620	\$48.00	AT-S-06-NF-I60
	AP-6674	\$25.00	AT-S-06-NF-N60
	AP-6675	\$25.00	AT-S-06-NF-R60
	AP-6676	\$72.00	AT-S-06-NF-V65

1" Pinch Valves

Specifications:

Media Inlet: 1" (08)
 Media Outlet: 1" (08)
 Actuation Port: .25"
 Valve Length: 5.5"
 Valve Diameter: 3.5"



Food Grade Buna	AP-6122	\$128.50	AT-08-FG-B60-0808-N
	AP-6130	\$128.50	AT-08-FG-B60-0808-P
Food Grade EPDM	AP-6124	\$128.50	AT-08-FG-E60-0808-N
	AP-6132	\$128.50	AT-08-FG-E60-0808-P
Non-Food Grade Buna	AP-6123	\$110.00	AT-08-NF-B60-0808-N
	AP-6131	\$110.00	AT-08-NF-B60-0808-P
	AP-6320	\$117.00	AT-08-NF-E30-0808-N
Non-Food Grade EPDM	AP-6361	\$117.00	AT-08-NF-E30-0808-P
	AP-6125	\$110.00	AT-08-NF-E60-0808-N
	AP-6133	\$110.00	AT-08-NF-E60-0808-P
Non-Food Grade Silicon	AP-6322	\$115.00	AT-08-NF-I60-0808-N
	AP-6363	\$115.00	AT-08-NF-I60-0808-P
Non-Food Grade Neoprene	AP-6323	\$113.00	AT-08-NF-N60-0808-N
	AP-6364	\$113.00	AT-08-NF-N60-0808-P
Non-Food Grade Rubber	AP-6324	\$113.00	AT-08-NF-R60-0808-N
	AP-6365	\$113.00	AT-08-NF-R60-0808-P
	AP-6973	\$132.00	AT-08-NF-R60W-0808-P
	AP-7003	\$132.00	AT-08-NF-R60W-0808-P
Non-Food Grade Viton	AP-6126	\$168.00	AT-08-NF-V65-0808-N
	AP-6134	\$168.00	AT-08-NF-V65-0808-P

	AP-6598	\$67.00	AT-S-08-FG-B60
	AP-6596	\$74.00	AT-S-08-FG-E30
	AP-6599	\$67.00	AT-S-08-FG-E60
	AP-6981	\$71.00	AT-S-08-FG-R60W
	AP-6668	\$48.00	AT-S-08-NF-B60
	AP-6669	\$56.00	AT-S-08-NF-E30
Replacement Sleeves	AP-6592	\$48.00	AT-S-08-NF-E60
	AP-6956	\$58.00	AT-S-08-NF-I18
	AP-6998	\$0.00	AT-S-08-NF-I25
	AP-6995	\$0.00	AT-S-08-NF-I35
	AP-6670	\$53.00	AT-S-08-NF-I60
	AP-6671	\$51.00	AT-S-08-NF-N60
	AP-6672	\$51.00	AT-S-08-NF-R60
	AP-6673	\$106.00	AT-S-08-NF-V65

1 1/4" Pinch Valves

Specifications:

Media Inlet: 1.25" (10)
 Media Outlet: 1.25" (10)
 Actuation Port: .25"
 Valve Length: 5.5"
 Valve Diameter: 3.5"



	AP-		AT-10-FG-B60-1010-S
Food Grade	AP-6182		AT-10-FG-B60-1010-A
Buna	AP-6725	\$129.00	AT-10-FG-B60-1010-N
	AP-6723	\$129.00	AT-10-FG-B60-1010-P
	AP-		AT-10-FG-E60-1010-S
Food Grade	AP-6184		AT-10-FG-E60-1010-A
EPDM	AP-6724	\$129.00	AT-10-FG-E60-1010-N
	AP-6722	\$129.00	AT-10-FG-E60-1010-P
	AP-		AT-10-NF-B60-1010-S
Non-Food	AP-6183		AT-10-NF-B60-1010-A
Grade Buna	AP-6717	\$110.00	AT-10-NF-B60-1010-N
	AP-6711	\$110.00	AT-10-NF-B60-1010-P
	AP-		AT-10-NF-E30-1010-S
	AP-6411		AT-10-NF-E30-1010-A
	AP-6730	\$117.00	AT-10-NF-E30-1010-N
	AP-6729	\$117.00	AT-10-NF-E30-1010-P
Non-Food	AP-		AT-10-NF-E45-1010-S
Grade EPDM	AP-6412		AT-10-NF-E45-1010-A
	AP-6326	\$117.00	AT-10-NF-E45-1010-N
	AP-6367	\$117.00	AT-10-NF-E45-1010-P
	AP-		AT-10-NF-E60-1010-S
	AP-6185		AT-10-NF-E60-1010-A
	AP-6716	\$110.00	AT-10-NF-E60-1010-N
	AP-6710	\$110.00	AT-10-NF-E60-1010-P
	AP-		AT-10-NF-I60-1010-S
Non-Food	AP-6413		AT-10-NF-I60-1010-A
Grade Silicon	AP-6777	\$115.00	AT-10-NF-I60-1010-N
	AP-6735	\$115.00	AT-10-NF-I60-1010-P
	AP-		AT-10-NF-N60-1010-S
Non-Food	AP-6414		AT-10-NF-N60-1010-A
Grade Neoprene	AP-6778	\$113.00	AT-10-NF-N60-1010-N
	AP-6736	\$113.00	AT-10-NF-N60-1010-P
	AP-		AT-10-NF-R60-1010-S
Non-Food	AP-6415		AT-10-NF-R60-1010-A
Grade Rubber	AP-6779	\$113.00	AT-10-NF-R60-1010-N
	AP-6737	\$113.00	AT-10-NF-R60-1010-P
	AP-6974	\$132.00	AT-10-NF-R60W-0808-P
Non-Food	AP-6718	\$167.00	AT-10-NF-V60-1010-N
Grade Viton	AP-6712	\$167.00	AT-10-NF-V60-1010-P
	AP-6727	\$67.00	AT-S-10-FG-B60
	AP-6728	\$74.00	AT-S-10-FG-E30
	AP-6726	\$67.00	AT-S-10-FG-E60
	AP-6982	\$0.00	AT-S-10-FG-R60W
	AP-6714	\$48.00	AT-S-10-NF-B60
Replacement	AP-6721	\$56.00	AT-S-10-NF-E30
Sleeves	AP-6713	\$48.00	AT-S-10-NF-E60
	AP-6989	\$0.00	AT-S-10-NF-I18
	AP-6996	\$0.00	AT-S-10-NF-I35
	AP-6738	\$75.00	AT-S-10-NF-I60
	AP-6739	\$51.00	AT-S-10-NF-N60
	AP-6776	\$51.00	AT-S-10-NF-R60
	AP-6715	\$106.00	AT-S-10-NF-V60

1 1/2" Pinch Valves

Specifications:

Media Inlet: 1.5" (12)
 Media Outlet: 1.5" (12)
 Actuation Port: .25"
 Valve Length: 7"
 Valve Diameter: 4.375"



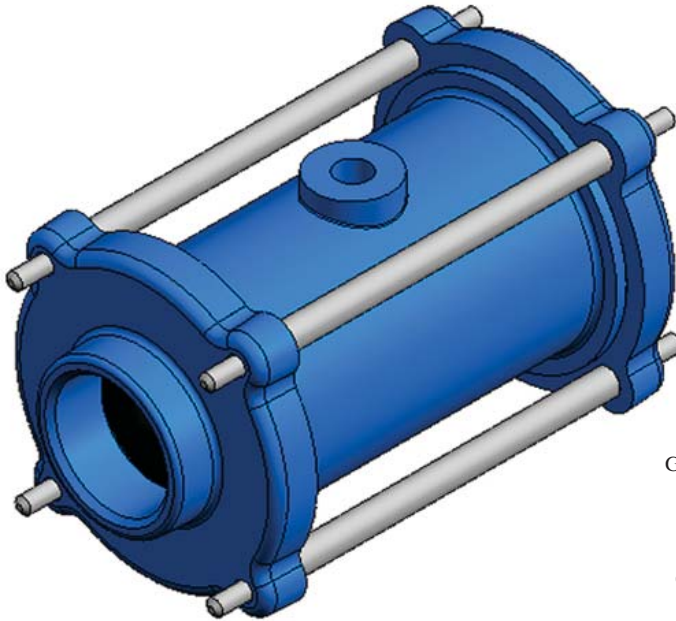
Non-Food Grade Buna	AP-7009	\$139.00	AT-12-NF-B60-1212-N
	AP-7006	\$139.00	AT-12-NF-B60-1212-P
Non-Food Grade EPDM	AP-7010	\$139.00	AT-12-NF-E60-1212-N
	AP-7007	\$139.00	AT-12-NF-E60-1212-P
Non-Food Grade Silicon	AP-7025	\$170.00	AT-12-NF-I60-1212-N
	AP-7024	\$170.00	AT-12-NF-I60-1212-P
Non-Food Grade Neoprene	AP-7027	\$144.00	AT-12-NF-N60-1212-N
	AP-7026	\$144.00	AT-12-NF-N60-1212-P
	AP-7031	\$144.00	AT-12-NF-R60-1212-N
Non-Food Grade Rubber	AP-7030	\$144.00	AT-12-NF-R60-1212-P
	AP-7023	\$154.00	AT-12-NF-R60W-1212-N
	AP-6999	\$154.00	AT-12-NF-R60W-1212-P
Non-Food Grade Viton	AP-7029	\$205.00	AT-12-NF-V65-1212-N
	AP-7028	\$205.00	AT-12-NF-V65-1212-P

	AP-7015	\$58.00	AT-S-12-NF-B60
	AP-7016	\$58.00	AT-S-12-NF-E60
Replacement Sleeves	AP-7017	\$88.00	AT-S-12-NF-I60
	AP-7018	\$62.00	AT-S-12-NF-N60
	AP-7020	\$62.00	AT-S-12-NF-R60
	AP-7021	\$72.50	AT-S-12-NF-R60W
	AP-7019	\$123.00	AT-S-12-NF-V60

2" Pinch Valves

Specifications:

Media Inlet: 2" (16)
 Media Outlet: 2" (16)
 Actuation Port: .375"
 Valve Length: 9.5"
 Valve Diameter: 5.25"



Food Grade	AP-6621		AT-16-FG-B60-1616-A
Buna	AP-6601	\$292.00	AT-16-FG-B60-1616-P
	AP-6622		AT-16-FG-E30-1616-A
Food Grade	AP-6643	\$292.00	AT-16-FG-E30-1616-P
EPDM	AP-6623		AT-16-FG-E60-1616-A
	AP-6602	\$292.00	AT-16-FG-E60-1616-P
Non-Food	AP-6624		AT-16-NF-B60-1616-A
Grade Buna	AP-6644		AT-16-NF-B60-1616-A
	AP-6603	\$265.00	AT-16-NF-B60-1616-P
	AP-6626		AT-16-NF-E30-1616-A
	AP-6604	\$273.00	AT-16-NF-E30-1616-P
Non-Food	AP-6614		AT-16-NF-E60-1616-A
Grade EPDM	AP-6625		AT-16-NF-E60-1616-A
	AP-6615		AT-16-NF-E60-1616-A
	AP-6804	\$266.00	AT-16-NF-E60-1616-N
	AP-6605	\$265.00	AT-16-NF-E60-1616-P
Non-Food	AP-6627		AT-16-NF-I60-1616-A
Grade Silicon	AP-6606	\$315.00	AT-16-NF-I60-1616-P
Non-Food	AP-6628		AT-16-NF-N60-1616-A
Grade Neoprene	AP-6607	\$296.00	AT-16-NF-N60-1616-P
Non-Food	AP-6629		AT-16-NF-R60-1616-A
Grade Rubber	AP-6608	\$282.00	AT-16-NF-R60-1616-P
	AP-7005	\$294.00	AT-16-NF-R60W-1616-P
Non-Food	AP-6630		AT-16-NF-V65-1616-A
Grade Viton	AP-6609	\$615.00	AT-16-NF-V65-1616-P
	AP-6700	\$104.00	AT-S-16-FG-B60
	AP-6642		AT-S-16-FG-E30
	AP-6634	\$104.00	AT-S-16-FG-E60
	AP-6701	\$104.00	AT-S-16-FG-E60
	AP-6635	\$77.00	AT-S-16-NF-B60
	AP-6637	\$92.00	AT-S-16-NF-E30
Replacement	AP-6636	\$77.00	AT-S-16-NF-E60
Sleeves	AP-6990		AT-S-16-NF-I18
	AP-6997		AT-S-16-NF-I35
	AP-6638	\$104.00	AT-S-16-NF-I60
	AP-6639	\$84.00	AT-S-16-NF-N60
	AP-6640	\$132.50	AT-S-16-NF-R60
	AP-6983	\$133.00	AT-S-16-NF-R60W
	AP-6641	\$490.00	AT-S-16-NF-V65

Pinch Valve Body & Cap Sets



	AP-6006		AT-BC-02-0202-A
1/4"	AP-6014	\$18.50	AT-BC-02-0202-N
	AP-6021	\$18.50	AT-BC-02-0202-P
	AP-6918	\$174.00	AT-BC-02-0202-S
	AP-6041		AT-BC-03-0202-A
	AP-6442	\$31.00	AT-BC-03-0202-N
	AP-6488	\$31.00	AT-BC-03-0202-P
	AP-6921	\$218.00	AT-BC-03-0202-S
3/8"	AP-6040		AT-BC-03-0203-A
	AP-6454	\$31.00	AT-BC-03-0203-N
	AP-6500	\$31.00	AT-BC-03-0203-P
	AP-6922	\$218.00	AT-BC-03-0203-S
	AP-6039		AT-BC-03-0303-A
	AP-6058	\$30.75	AT-BC-03-0303-N
	AP-6050	\$30.75	AT-BC-03-0303-P
	AP-6923	\$218.00	AT-BC-03-0303-S
	AP-6560	\$145.00	AT-BC-05-0606-A
	AP-6085	\$42.00	AT-BC-05-0606-N
	AP-6116	\$42.00	AT-BC-05-0606-P
	AP-6930	\$279.00	AT-BC-05-0606-S
5/8"	AP-6926	\$193.00	AT-BC-05-0608-A
	AP-6086	\$42.00	AT-BC-05-0608-N
	AP-6117	\$42.00	AT-BC-05-0608-P
	AP-6931	\$305.00	AT-BC-05-0608-S
	AP-6927	\$193.00	AT-BC-05-0808-A
	AP-6087	\$42.00	AT-BC-05-0808-N
	AP-6118	\$42.00	AT-BC-05-0808-P
	AP-6932	\$305.00	AT-BC-05-0808-S
1 "	AP-6936	\$260.00	AT-BC-08-0808-A
	AP-6127	\$62.00	AT-BC-08-0808-N
	AP-6135	\$62.00	AT-BC-08-0808-P
	AP-6939	\$305.00	AT-BC-08-0808-S
1-1/4"	AP-6187	\$260.00	AT-BC-10-1010-A
	AP-6731	\$62.00	AT-BC-10-1010-N
	AP-6733	\$62.00	AT-BC-10-1010-P
	AP-6942	\$371.00	AT-BC-10-1010-S
1-1/2"	AP-7035	\$82.00	AT-BC-12-1212-N
	AP-7034	\$82.00	AT-BC-12-1212-P
2 "	AP-6617	\$419.00	AT-BC-16-1616-A
	AP-6611	\$125.00	AT-BC-16-1616-P
	AP-6945	\$1,250.00	AT-BC-16-1616-S
	AP-6612	\$44.00	AT-TB-16-SS Stainless Steel Tie Bolts for 2" Valve (Set of 4)

Pinch Valve Body Replacements



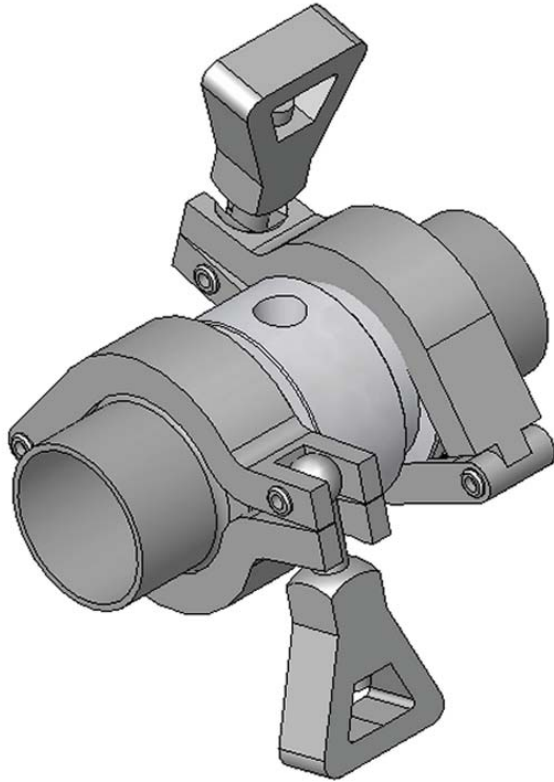
AP-6007		AT-B-02-A
AP-6015	\$14.00	AT-B-02-N
AP-6022	\$14.00	AT-B-02-P
AP-6917	\$88.00	AT-B-02-S
AP-6042		AT-B-03-A
AP-6059	\$17.50	AT-B-03-N
AP-6051	\$17.50	AT-B-03-P
AP-6920	\$105.00	AT-B-03-S
AP-6561		AT-B-05-A
AP-6088	\$23.00	AT-B-05-N
AP-6119	\$23.00	AT-B-05-P
AP-6929	\$143.00	AT-B-05-S
AP-6935	\$137.00	AT-B-08-A
AP-6128	\$33.00	AT-B-08-N
AP-6136	\$33.00	AT-B-08-P
AP-6938	\$242.00	AT-B-08-S
AP-6188	\$137.00	AT-B-10-A
AP-6720	\$33.00	AT-B-10-N
AP-6719	\$33.00	AT-B-10-P
AP-6941	\$242.00	AT-B-10-S
AP-7032	\$43.00	AT-B-12-N
AP-7001	\$43.00	AT-B-12-P
AP-6616	\$122.00	AT-B-16-A
AP-6610	\$66.00	AT-B-16-P
AP-6944	\$424.00	AT-B-16-S

Pinch Valve Cap Replacements



AP-6008		AT-C-02-02-A
AP-6111	\$4.25	AT-C-02-02-N
AP-6023	\$4.25	AT-C-02-02-P
AP-6919	\$44.00	AT-C-02-02-S
AP-6044		AT-C-03-02-A
AP-6443	\$7.00	AT-C-03-02-N
AP-6489	\$7.00	AT-C-03-02-P
AP-6924	\$57.00	AT-C-03-02-S
AP-6043		AT-C-03-03-A
AP-6060	\$7.00	AT-C-03-03-N
AP-6052	\$7.00	AT-C-03-03-P
AP-6925	\$57.00	AT-C-03-03-S
AP-6688		AT-C-05-04-N
AP-6686		AT-C-05-04-P
AP-6562		AT-C-05-06-A
AP-6089	\$10.00	AT-C-05-06-N
AP-6120	\$10.00	AT-C-05-06-P
AP-6933	\$69.00	AT-C-05-06-S
AP-6928	\$44.00	AT-C-05-08-A
AP-6090	\$10.00	AT-C-05-08-N
AP-6121	\$10.00	AT-C-05-08-P
AP-6934	\$69.00	AT-C-05-08-S
AP-6937	\$62.00	AT-C-08-08-A
AP-6129	\$15.50	AT-C-08-08-N
AP-6137	\$15.50	AT-C-08-08-P
AP-6940	\$81.00	AT-C-08-08-S
AP-6189	\$62.00	AT-C-10-10-A
AP-6732	\$15.50	AT-C-10-10-N
AP-6734	\$15.50	AT-C-10-10-P
AP-6943	\$81.00	AT-C-10-10-S
AP-7002	\$20.00	AT-C-12-12-P--FNPT disk& ring
AP-7033	\$20.00	AT-C-12-12-N--FNPT disk& ring
AP-6613	\$42.00	AT-C-16-16-P

Sanitary Pinch Valve Assemblies



Ferrules and Clamps Not Included

AP-6471		AS-05-FG-B60-1212-A
AP-6783	\$76.50	AS-05-FG-B60-1212-N
AP-6786	\$76.50	AS-05-FG-B60-1212-P
AP-6579		AS-05-FG-B60-1212-S
AP-6472		AS-05-FG-E60-1212-A
AP-6784	\$76.50	AS-05-FG-E60-1212-N
AP-6787	\$76.50	AS-05-FG-E60-1212-P
AP-6580		AS-05-FG-E60-1212-S
AP-6581		AS-05-NF-B60-1212-S
AP-6582		AS-05-NF-E60-1212-S
AP-6789		AS-08-NF-V65-2020-N
AP-6790		AS-08-NF-V65-2020-P
AP-6468		AS-10-FG-B60-2020-A
AP-6563	\$112.00	AS-10-FG-B60-2020-N
AP-6780	\$112.00	AS-10-FG-B60-2020-P
AP-6469	\$194.00	AS-10-FG-E60-2020-A
AP-6564	\$112.00	AS-10-FG-E60-2020-N
AP-6781	\$112.00	AS-10-FG-E60-2020-P
AP-6590		AS-10-FG-E60-2020-S
AP-6702	\$168.00	AS-16-FG-B60-0000-P
AP-6631		AS-16-FG-B60-3232-P
AP-6703	\$168.00	AS-16-FG-E60-3232-P
AP-6632		AS-16-FG-E60-3232-P

Sanitary Pinch Valve Body Replacements



AP-6948	\$88.00	AS-B-03-1212-A
AP-6947	\$38.00	AS-B-03-1212-P
AP-6949	\$105.00	AS-B-03-1212-S
AP-6584	\$105.00	AS-B-05-1212-A
AP-6785	\$50.00	AS-B-05-1212-N
AP-6950	\$50.00	AS-B-05-1212-P
AP-6583	\$143.00	AS-B-05-1212-S
AP-6470	\$137.00	AS-B-10-2020-A
AP-6565	\$62.00	AS-B-10-2020-N
AP-6782	\$62.00	AS-B-10-2020-P
AP-6589	\$242.00	AS-B-10-2020-S
AP-6952		AS-B-16-2020-S

1/4" Check Valves

Specifications:

Media Inlet: .25" (02) or .375 (03)
 Media Outlet: .25" (02) or .375 (03)
 Valve Length: 3.55"
 Valve Diameter: 1.25"



AP-6417	\$25.00	AC-02-NF-B60-0202-N
AP-6416	\$25.00	AC-02-NF-B60-0202-P
AP-6903	\$17.00	AC-02-NF-B60-0202-QCP
AP-6543	\$24.00	AC-02-NF-B60-0303-N
AP-6536	\$24.00	AC-02-NF-B60-0303-P
AP-6906	\$17.00	AC-02-NF-B60-0303-QCP

AP-6418	\$25.00	AC-02-NF-E60-0202-N
AP-6190	\$25.00	AC-02-NF-E60-0202-P
AP-6904	\$17.00	AC-02-NF-E60-0202-QCP
AP-6544	\$24.00	AC-02-NF-E60-0303-N
AP-6537	\$24.00	AC-02-NF-E60-0303-P
AP-6907	\$17.00	AC-02-NF-E60-0303-QCP

AP-6419	\$40.00	AC-02-NF-V65-0202-N
AP-6191	\$40.00	AC-02-NF-V65-0202-P
AP-6905	\$17.00	AC-02-NF-V65-0202-QCP
AP-6545	\$40.00	AC-02-NF-V65-0303-N
AP-6538	\$40.00	AC-02-NF-V65-0303-P
AP-6908	\$17.00	AC-02-NF-V65-0303-QCP

5/8" Check Valves

Specifications:

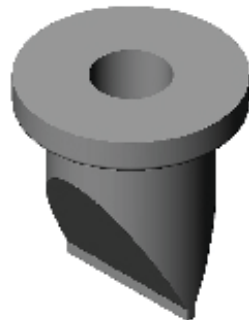
Media Inlet: .5" (04) or .75" (06)
 Media Outlet: .5" (04) or .75" (06)
 Valve Length: 4.00"
 Valve Diameter: 2.25"



AP-6423	\$61.00	AC-05-NF-B60-0606-N
AP-6236	\$61.00	AC-05-NF-B60-0606-P
AP-6678	\$67.00	AC-05-NF-E60-0404-P
AP-6424	\$61.00	AC-05-NF-E60-0606-N
AP-6235	\$61.00	AC-05-NF-E60-0606-P

AP-6425	\$88.00	AC-05-NF-V65-0606-N
AP-6237	\$88.00	AC-05-NF-V65-0606-P

Check Valve Replacement Elements



AP-6524	\$8.50	AC-E-02-FG-B60
AP-6525	\$8.50	AC-E-02-FG-E60

AP-6231	\$4.75	AC-E-02-NF-B60
AP-6192	\$4.75	AC-E-02-NF-E60
AP-6467		AC-E-02-NF-I60
AP-6193	\$20.00	AC-E-02-NF-V65

AP-6530	\$26.00	AC-E-05-FG-B60
AP-6531	\$26.00	AC-E-05-FG-E60

AP-6233	\$16.50	AC-E-05-NF-B60
AP-6232	\$16.50	AC-E-05-NF-E60
AP-6234	\$35.00	AC-E-05-NF-V65

AP-6550	\$2.50	AC-S-02-NF-B60
AP-6551	\$2.50	AC-S-02-NF-E60
AP-6552	\$4.50	AC-S-02-NF-V65

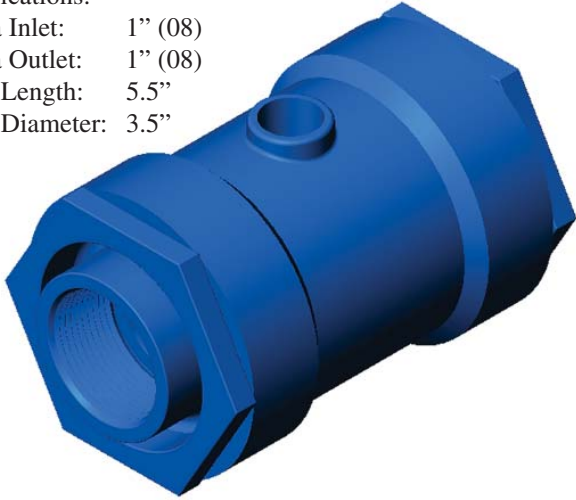
AP-6553	\$4.50	AC-S-05-NF-B60
AP-6554	\$4.50	AC-S-05-NF-E60
AP-6555	\$16.50	AC-S-05-NF-V65

Check Valve Replacement Cap Seals

1" Check Valves

Specifications:

Media Inlet: 1" (08)
 Media Outlet: 1" (08)
 Valve Length: 5.5"
 Valve Diameter: 3.5"

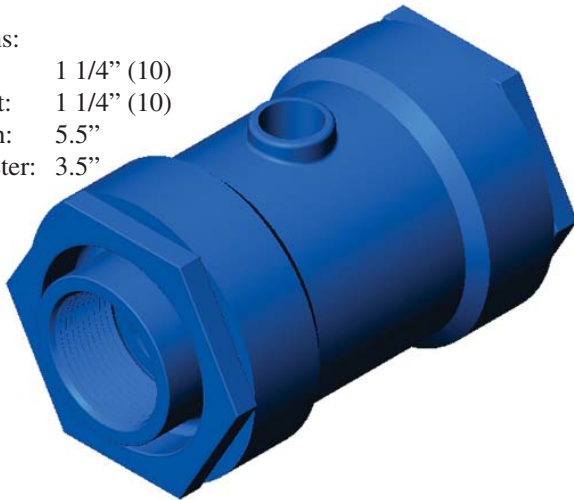


AP-6740	\$102.00	AC-08-NF-B60-0808-N
AP-6745	\$102.00	AC-08-NF-B60-0808-P
AP-6741	\$102.00	AC-08-NF-E60-0808-N
AP-6746	\$102.00	AC-08-NF-E60-0808-P
AP-6742	\$154.00	AC-08-NF-V65-0808-N
AP-6747	\$154.00	AC-08-NF-V65-0808-P

1 1/4" Check Valves

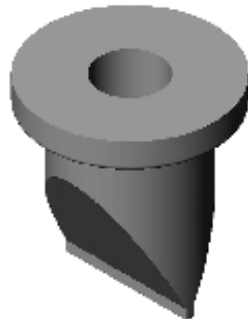
Specifications:

Media Inlet: 1 1/4" (10)
 Media Outlet: 1 1/4" (10)
 Valve Length: 5.5"
 Valve Diameter: 3.5"



AP-6758	\$102.00	AC-10-NF-B60-1010-N
AP-6763	\$102.00	AC-10-NF-B60-1010-P
AP-6677	\$102.00	AC-10-NF-E60-0808-P
AP-6759	\$102.00	AC-10-NF-E60-1010-N
AP-6764	\$102.00	AC-10-NF-E60-1010-P
AP-6760	\$154.00	AC-10-NF-V65-1010-N
AP-6765	\$154.00	AC-10-NF-V65-1010-P

Check Valve Replacement Elements



AP-6750	\$42.00	AC-E-08-FG-B60
AP-6751	\$42.00	AC-E-08-FG-E60
AP-6704	\$36.50	AC-E-08-NF-B60
AP-6753	\$36.50	AC-E-08-NF-E60
AP-6754	\$81.00	AC-E-08-NF-V65
AP-6768	\$42.00	AC-E-10-FG-B60
AP-6769	\$42.00	AC-E-10-FG-E60
AP-6699	\$36.50	AC-E-10-NF-B60
AP-6698	\$36.50	AC-E-10-NF-E60
AP-6708	\$81.00	AC-E-10-NF-V65

Check Valve Replacement Cap Seals

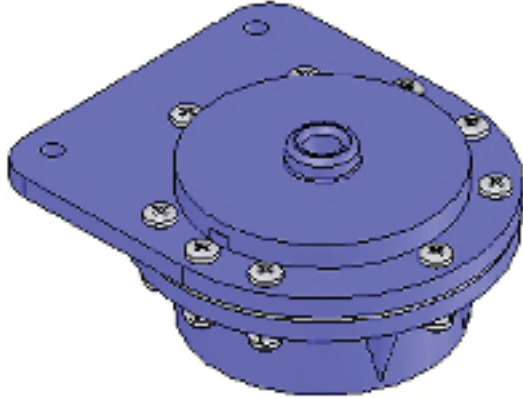
AP-6755	\$6.00	AC-S-08-NF-B60
AP-6756	\$6.00	AC-S-08-NF-E60
AP-6757	\$17.00	AC-S-08-NF-V65
AP-6773	\$6.00	AC-S-10-NF-B60
AP-6774	\$6.00	AC-S-10-NF-E60
AP-6775	\$17.00	AC-S-10-NF-V65

Pulse Pumps



AP-6911	\$69.00	AP-02-NF-B60-0202-N
AP-6914	\$69.00	AP-02-NF-B60-0202-P
AP-6912	\$69.00	AP-02-NF-E60-0202-N
AP-6915	\$69.00	AP-02-NF-E60-0202-P
AP-6913	\$129.00	AP-02-NF-V65-0202-N
AP-6916	\$129.00	AP-02-NF-V65-0202-P
AP-6456	\$94.00	AP-05-NF-B60-0303-N
AP-6462	\$94.00	AP-05-NF-B60-0303-P
AP-6967		AP-05-NF-B60-0404-N
AP-6965		AP-05-NF-B60-0404-P
AP-6966	\$204.00	AP-05-NF-B60-0606-N
AP-6961	\$204.00	AP-05-NF-B60-0606-P
AP-6455	\$94.00	AP-05-NF-E60-0303-N
AP-6461	\$94.00	AP-05-NF-E60-0303-P
AP-6960	\$210.00	AP-05-NF-E60-0404-P
AP-6959	\$204.00	AP-05-NF-E60-0606-P
AP-6971		AP-05-NF-V65-0404-N
AP-6969		AP-05-NF-V65-0404-P
AP-6970		AP-05-NF-V65-0606-N
AP-6968		AP-05-NF-V65-0606-P
AP-6457		AP-05-NF-V65-0303-N
AP-6463		AP-05-NF-V65-0303-P
AP-6962		AP-05-NF-V65-0606-P
AP-6459		AP-10-NF-B60-0608-N
AP-6465		AP-10-NF-B60-0608-P
AP-6458		AP-10-NF-E65-0608-N
AP-6464		AP-10-NF-E65-0608-P
AP-6460		AP-10-NF-V65-0608-N
AP-6466		AP-10-NF-V65-0608-P

Quick Exhaust Valves



AP-6199	\$41.50	AQ-02-NF-E60-0202-N
AP-6197	\$41.50	AQ-02-NF-E60-0202-P
AP-6200	\$73.00	AQ-02-NF-V65-0202-N
AP-6198	\$73.00	AQ-02-NF-V65-0202-P
AP-6431	\$26.00	AQ-B-02-N
AP-6201	\$28.00	AQ-B-02-P
AP-6202	\$8.50	AQ-D-02-NF-E60 diaphragm
AP-6792	\$9.50	AQ-D-02-NF-N60 diaphragm
AP-6203	\$30.00	AQ-D-02-NF-V65 diaphragm
AP-6204	\$7.75	AQ-02-BOLT SET

Sleeve Replacement Tools

1. Remove expired sleeve from valve housing.
2. Lubricate one end of the sleeve with a liquid soap solution.
DO NOT use a petroleum product such as WD-40™.
3. Insert the tip of the insertion tool into the replacement sleeve.
4. Place the valve body on a solid surface.
5. Start the lubricated end of the sleeve at an angle to the valve body and push it into the valve body until the top flange is seated.
6. If the bottom flange is not completely seated, use the insertion tool to wedge it into place.
7. When replacing valve end caps, be sure both flange ends are well lubricated.



Part #	Price	Description	
AP-6177	\$15.50	AIT-02	(1/4" Insertion Tool)
AP-6178	\$17.50	AIT-03	(3/8" Insertion Tool)
AP-6179	\$19.75	AIT-05	(5/8" Insertion Tool)
AP-6180	\$34.00	AIT-08	(1" Insertion Tool)
AP-6181	\$34.00	AIT-10	(1-1/4" Insertion Tool)